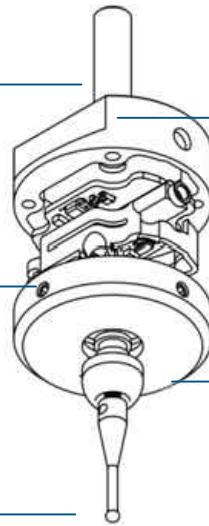


Structure

6mm+0.004~+0.012mm
bearing steel ground shank
(applies to ER11 collect)

4 fixed screws for
run-out adjustment.

Carbide stylus(ball
diameter 2 ± 0.003 mm)



Anti-drop design

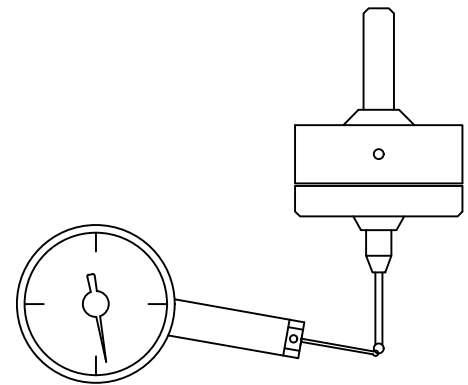
Silicone dustband

Installation:

Once the touch probe has been clamped well, use the dial test indicator to check the run-out. Adjust the 4 screws to make the run-out to be less than 0.01mm.

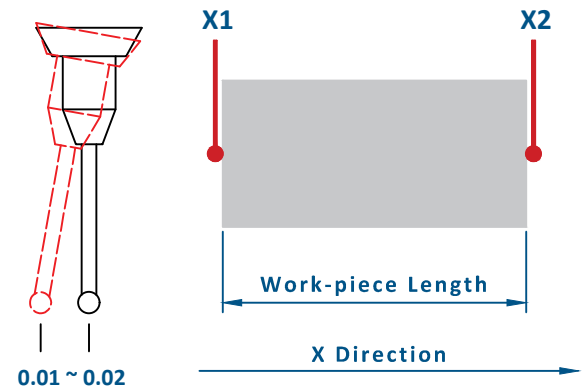
Note:

The run-out of touch probe has been adjusted to be 0.05mm in the factory. Operator need to adjust again once it is clamped for using. Use AAA class ER11 collect to clamp the touch probe, otherwise the run-out for clamping again could not be guaranteed.



Method for calculating the deflection compensation value. (Deflection value: The projected error between the touch point and the actual triggering point in measuring direction)

1. Clamp a accurate block on table (like gauge block)
2. Use the touch probe to measure the two sides of X direction. (X1, X2)
3. Deflection Value = $(X2 - X1 - \text{Ball Diameter} - \text{Block Length}) / 2$



Technical Parameter:

Connection: 5mm diameter headset plug

Red Wire: 5-24V

White Wire: NPN Open

Black Wire: 0V

LED Light: Green-IO output high level signal,
Red-touch occurs, IO output low level signal

Unidirectional Repeatability: 0.01mm

Ball Diameter: 2.0 ± 0.003 mm

Stylus overtravel: XY $\pm 15^\circ$, Z+ 3 mm.

Wire Length: 2M

