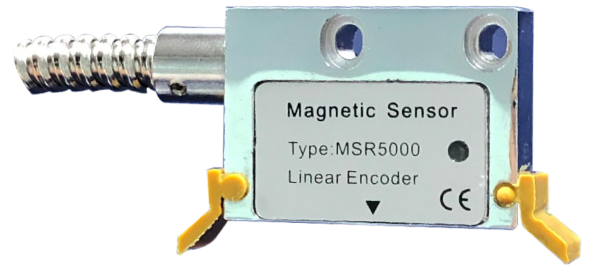


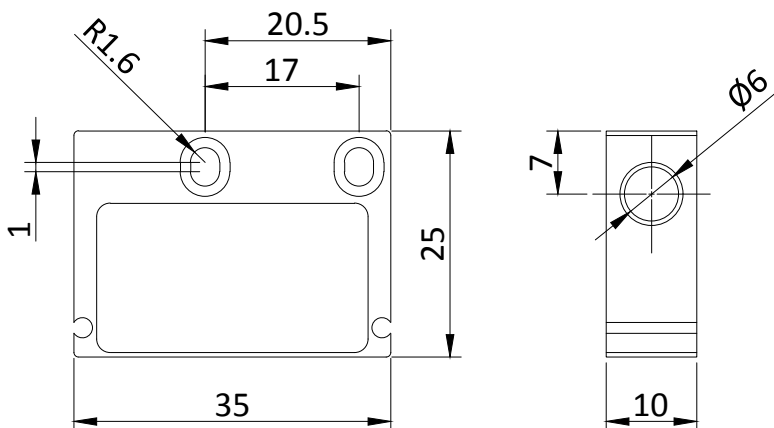
- 1 / 2.5 / 5 / 10 / 25 / $\mu$ m resolution as standard ,  
Other options on request.
- Magnetic contact-less measuring read head.
- RS422/EIA-422-A output signals as standard ,  
Other options on request.
- LED status light
- Wipers equipped for cleaner magnetic scale surface
- IP67 protection



MSR5000

## Technical Parameter

|                      |                                                                                     |
|----------------------|-------------------------------------------------------------------------------------|
| Voltage              | 4.7V to 7V( The range of antipole and over voltage protection: -20V+20V)            |
| Supply current       | < 35mA                                                                              |
| Cable Voltage-drop   | ~4.8mV/m-without load ~12.5mV/m-with 120 $\Omega$ load                              |
| Output signal        | RS422                                                                               |
| Signal Level         | UH $\geq$ 2.5V at-IH=20mA UL $\leq$ 0.5V at IL=20mA                                 |
| Temperature          | Working: -10 $^{\circ}$ C+80 $^{\circ}$ C Storage: -40 $^{\circ}$ C+85 $^{\circ}$ C |
| Resolution           | 0.01mm,0.005mm,0.001mm Other options on request.                                    |
| Accuracy             | $\pm$ 0.025mm/M                                                                     |
| Repeat Accuracy      | 1 pulse                                                                             |
| Maximum cable length | 200M                                                                                |

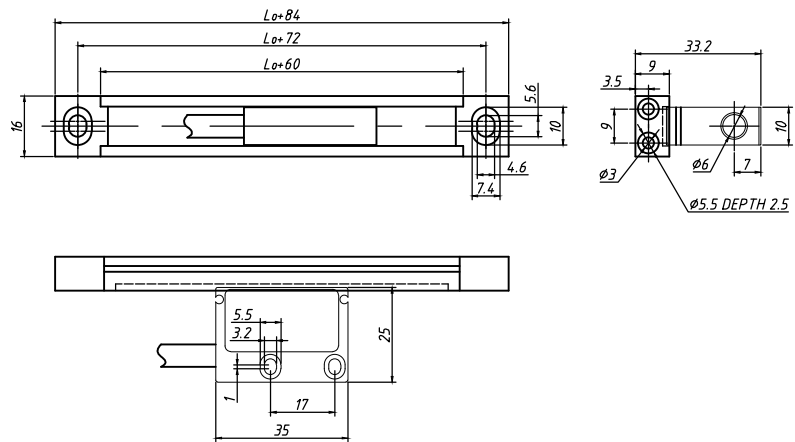


### LINE DRIVER CABLE OUTPUT

|             |                 |
|-------------|-----------------|
| A :         | GREEN           |
| B :         | WHITE           |
| Z :         | YELLOW          |
| $\bar{A}$ : | PURPLE OR GRAY  |
| $\bar{B}$ : | BLUE            |
| $\bar{Z}$ : | ORANGE OR BROWN |
| VDC :       | RED             |
| OV(GRN) :   | BLACK           |
| F.G :       | SHIELD          |

|                                                |                                 |                                   |
|------------------------------------------------|---------------------------------|-----------------------------------|
| <p>None-contact installation (Recommended)</p> | <p>Allowed deviation angle</p>  |                                   |
| <p>Allowed slope</p>                           | <p>Allowed deflection angle</p> | <p>Allowed deviation distance</p> |

AUMS



AOMS

